

# ANANAS

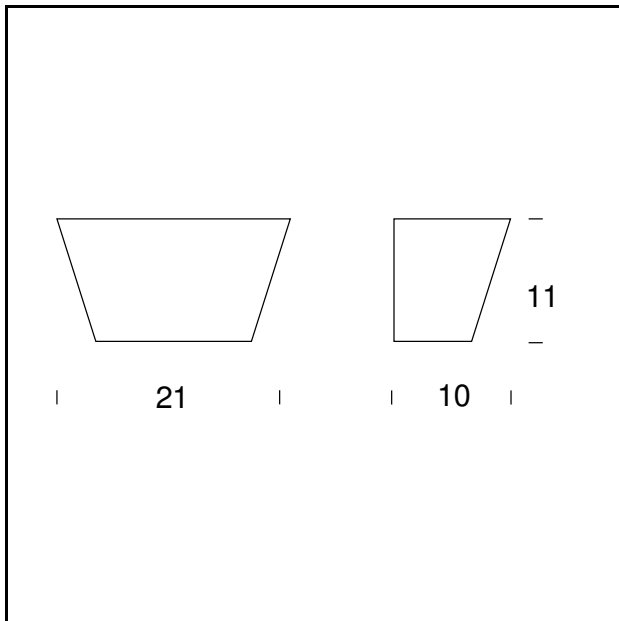
Vico Magistretti, 1999

Wall lamp with timeless design and diffuser in white or amber glass and sandblasted tempered glass bottom cover. Ananas produces diffused, indirect up- or down-lighting, depending on how it is installed.



## TECHNICAL SHEET

Wall lamp. Nickel-plated metal frame. Diffuser laminated glass. Tempered, sandblasted glass bottom cover.



**MODEL NAME:** Ananas

**CODE:** M3302+V3290..

**DIMENSIONS:** 21 x 10 x 11 cm

**MATERIALS:** Glass

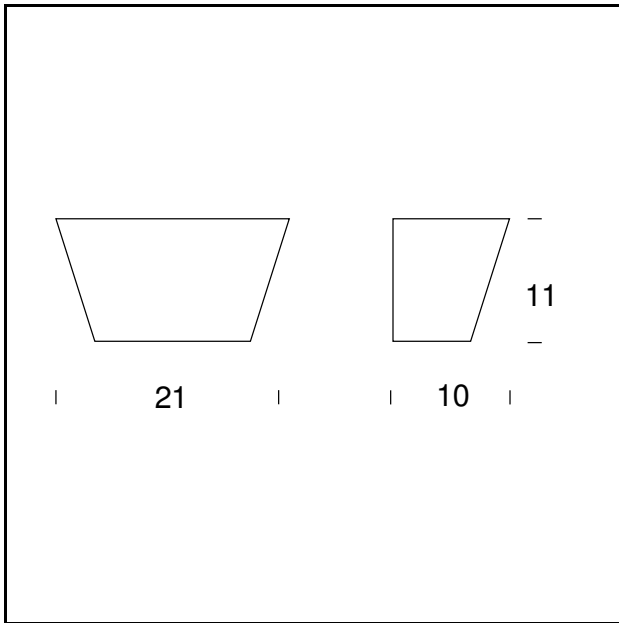
### COLORS

White

**BULB:** 2x28W (HA) Eco Saver E14

### CERTIFICATIONS AND SYMBOLS:





**MODEL NAME:** Ananas

**CODE:** M3304+V3290..

**DIMENSIONS:** 21 x 10 x 11 cm

**MATERIALS:** Glass

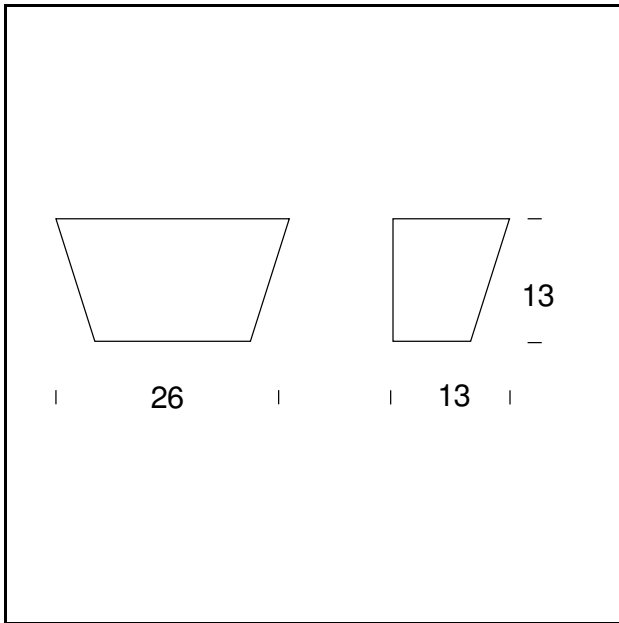
**COLORS**

White

**BULB:** 1x48W (HA) Eco Saver R7s/80

**CERTIFICATIONS AND SYMBOLS:**

CE EAC IP20



**MODEL NAME:** Ananas

**CODE:** M3302/1+V3290/1.

**DIMENSIONS:** 26 x 13 x 13 cm

**MATERIALS:** Glass

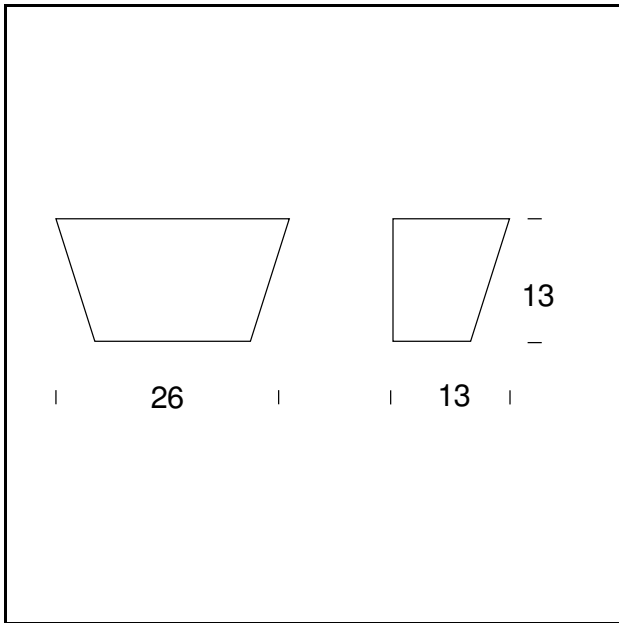
#### **COLORS**

White

**BULB:** 2x42W (HA) Eco Saver E14

#### **CERTIFICATIONS AND SYMBOLS:**





**MODEL NAME:** Ananas

**CODE:** M3304/1+V3290/1..

**DIMENSIONS:** 26 x 13 x 13 cm

**MATERIALS:** Glass

**COLORS**

White

**BULB:** 1x80W (HA) Eco Saver R7s/80

**CERTIFICATIONS AND SYMBOLS:**

CE EAC IP20

Subject to technical modifications and modifications to content